



## LET'S DIG IT!

SB International is a Swedish company that is globally known as a premier supplier of top quality miniature vehicles for kids.

Our diggers always trigger the desire to play, explore and learn. Children become machinery operators, and they really dig it!

Not only kids, but also adults and machinery fans may be unable to resist the temptation to get closer and check them out. Our excavators are definitely a true attention grabber!

**BUILD  
ZONE**



**35+  
YEARS OF  
EXPERIENCE**

## TECHNICAL SPECIFICATIONS

- Electrical system: 230VAC/10A.
- Color: Yellow and black.
- Capacity: 1 child.
- Body: Steel, powder coated.
- Maximum noise: 65 dB.
- Mini Digger (LxWxH): 2400\* mm x 760 mm (platform)\*\* x 1300 mm. 92 kg
- Maxi Digger (LxWxH): 2400\* mm x 760 mm (platform)\*\* x 1750 mm. 118 kg.
- Age to operate: From 3 years (under adult supervision).
- Timer: Adjustable, 3 or 4 minutes.
- Turning angle of arm: 90°.
- Recommended digging depth: 40 cm from digger base.
- Hydraulically operated: 3 cylinders, a hydraulic control valve and 230V oil pump motor.
- Lever to operate:
  - Left lever: Boom (push/pull).
  - Middle lever: Shovel (push/pull).
  - Right lever: Arm (push/pull).
- Max amount of load in shovel: 3 liters (approx.).
- Oil pump: Pump is set to 20 bar and must not be increased for safety reasons.
- Operating system: Coin/token mechanism or push button.
- To be installed with fence around digging area.

\*The figure corresponds to the maximum length (arm extended).

\*\*The maximum digging radius is 1.250mm.



Follow us:



**SB INTERNATIONAL AB**

Verktysvägen 1  
553 02 Jönköping  
SWEDEN

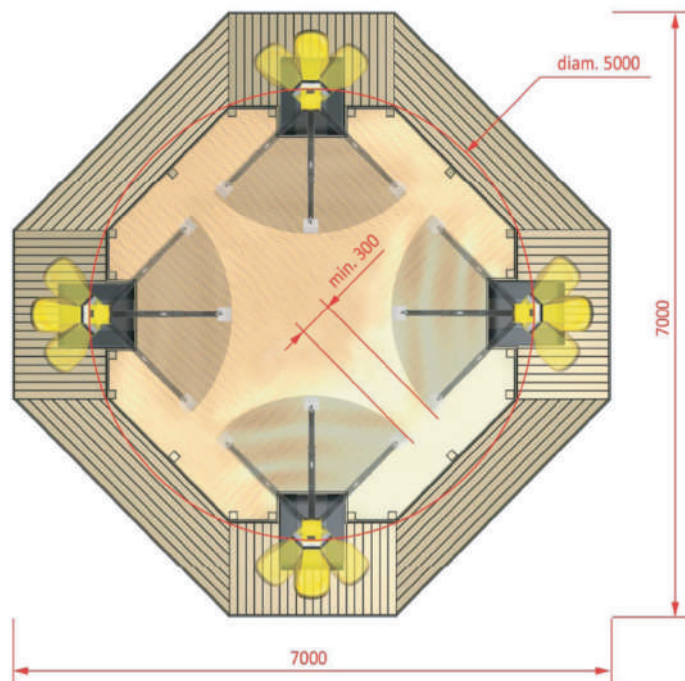
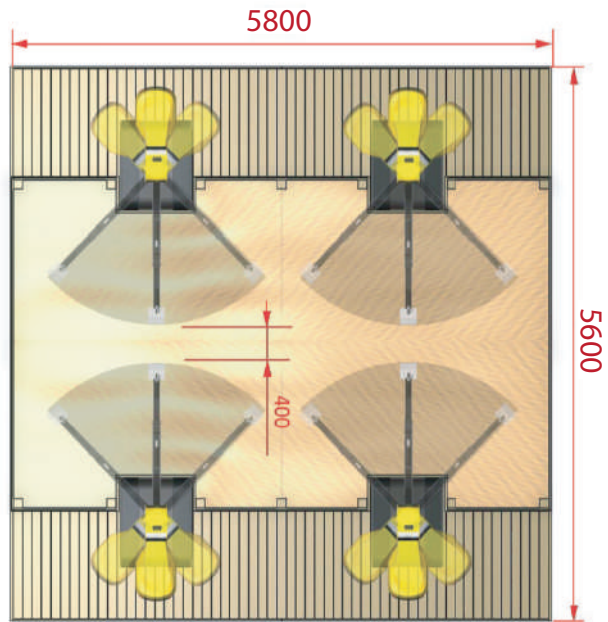
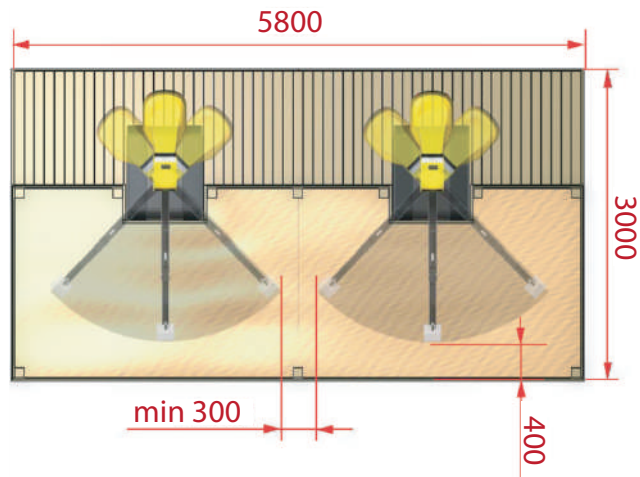
info@sbisweden.com

Tel: + 46 36 37 50 30

www.sbisweden.com



# SETUP SUGGESTIONS



[mm]